



PATCHING SYSTEMS
AUDIO, VIDEO, SERIAL DATA
600 WEST ELK AVENUE
GLENDALE, CA. 91204
TEL 818 500-8142
FAX 818 500-7062
WWW.BITTREE.COM

DATA CONTAINED IN THIS DOCUMENT
IS PROPRIETARY AND SHALL NOT BE
DISCLOSED, COPIED OR USED FOR
PROCUREMENT OR MANUFACTURE
WITHOUT EXPRESS WRITTEN PERMISSION
OF BITTREE INCORPORATED

DWG. NO. :52S2WNHDRE.DWG

SERIES : WECO

DWG. SCALE : FULL

PANEL HEIGHT:
1 RU (1.72") [43.688]

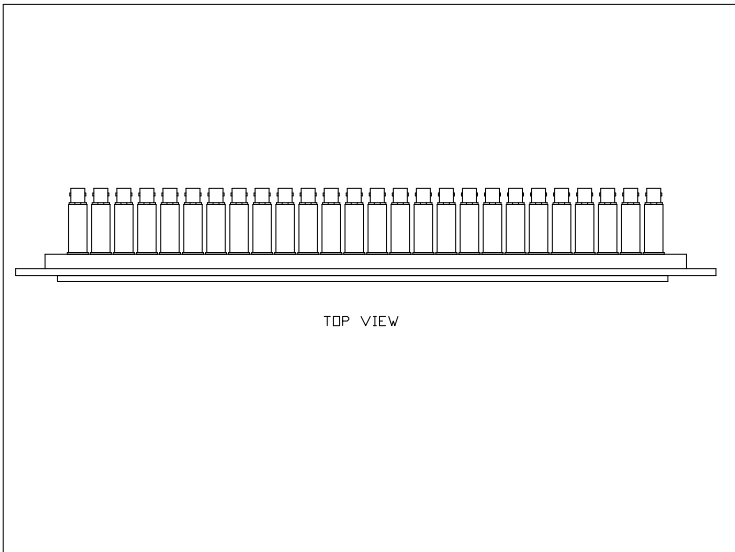
DESIGNATION : DS250-10

FINISH : POWDER COAT

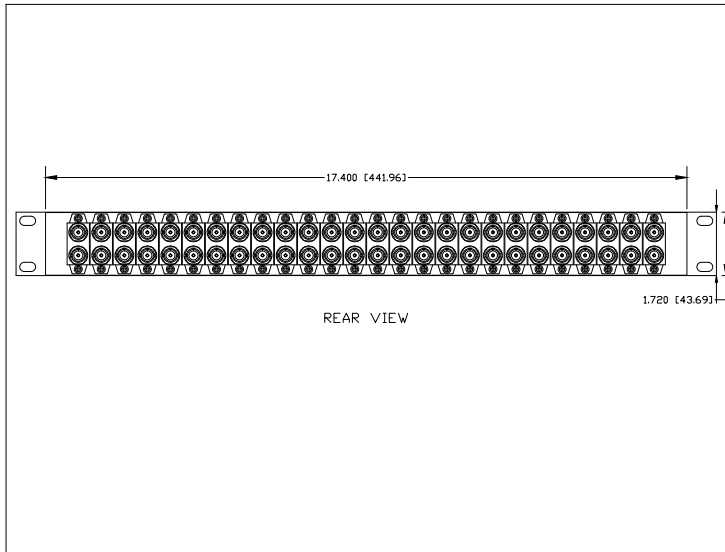
PANEL MATERIAL:
3/16" [4.7625] ALUMINUM

JACK SCREWS: 6-32X5/8 FHP

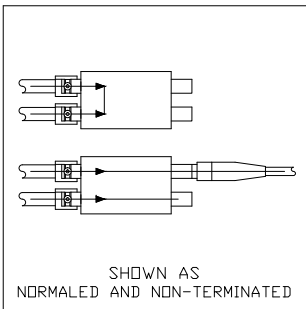
LAYER (DS_INSERT) IS PROVIDED
FOR THE CREATION OF LEGEND
STRIPS FOR THIS PATCHBAY. THE
RED OUTLINE MATCHES THE SIZE
OF INSERT.
PLEASE NOTE THE VIEWABLE AREA
IS LISTED IN NOTES BELOW THE
FRONT PANEL VIEW.



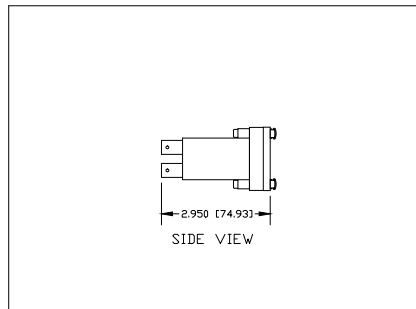
TOP VIEW



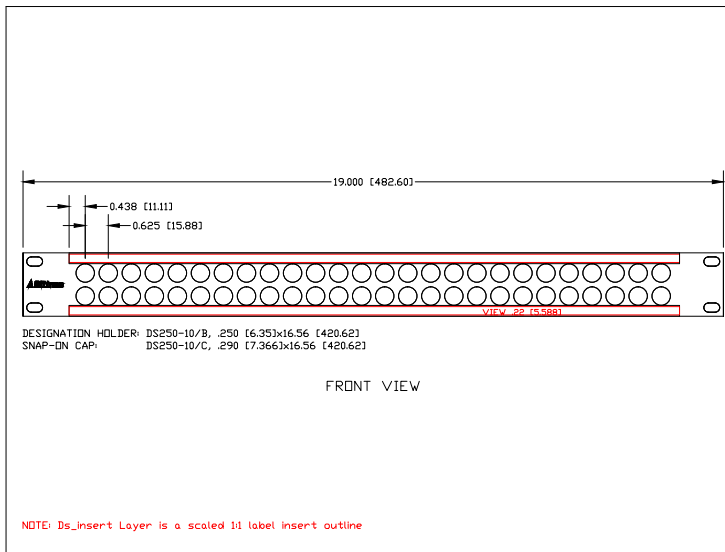
REAR VIEW



SHOWN AS
NORMALED AND NON-TERMINATED



SIDE VIEW



FRONT VIEW

DESIGNATION HOLDER: DS250-10/B, 250 [6.35]x16.56 [420.62]
SNAP-IN CAP: DS250-10/C, 290 [7.366]x16.56 [420.62]

NOTE: Ds_Insert Layer is a scaled 1:1 label insert outline