



PATCHING SYSTEMS

AUDIO, VIDEO, SERIAL DATA

600 WEST ELK AVENUE

GLENDALE, CA. 91204

TEL 818 500-8142

FAX 818 500-7062

WWW.BITTREE.COM

DATA CONTAINED IN THIS DOCUMENT IS PROPRIETARY AND SHALL NOT BE DISCLOSED, COPIED OR USED FOR PROCUREMENT OR MANUFACTURE WITHOUT EXPRESS WRITTEN PERMISSION OF BITTREE INCORPORATED

DWG. NO. :56S1WTHDRE.DWG

SERIES : WECO

DWG. SCALE : FULL

PANEL HEIGHT:  
1 RU (1.72") [43.688]

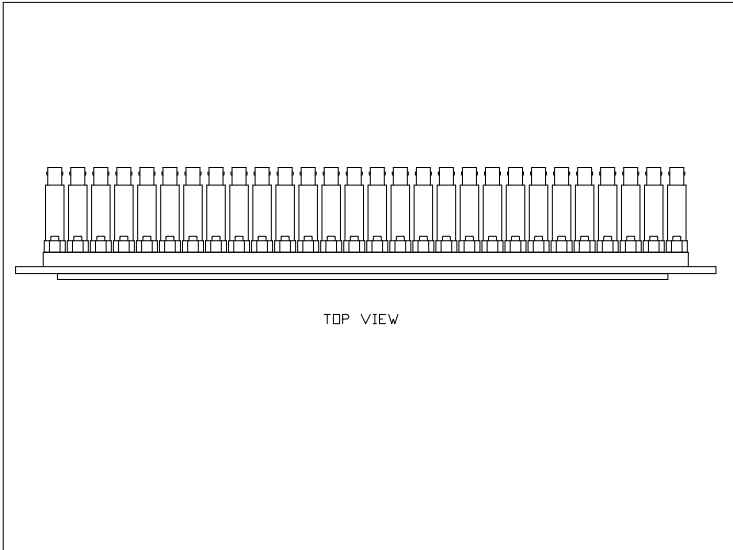
DESIGNATION : DS250-20

FINISH : POWDER COAT

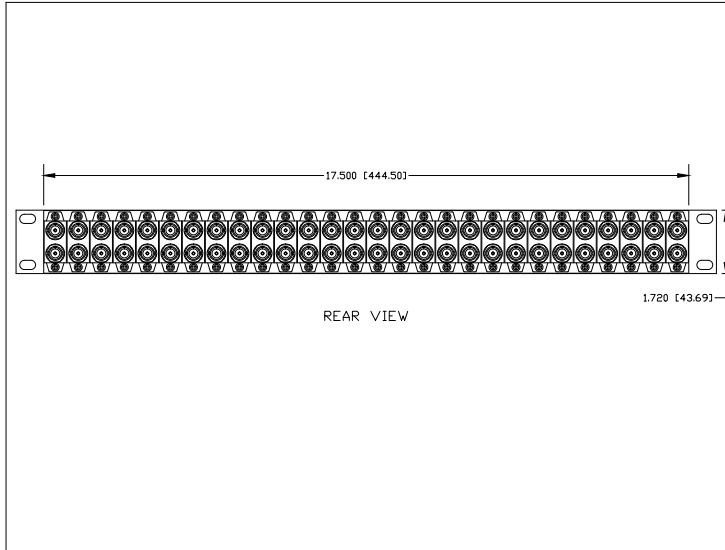
PANEL MATERIAL:  
3/16" [4.7625] ALUMINUM

JACK SCREWS: 6-32X5/8 FHP

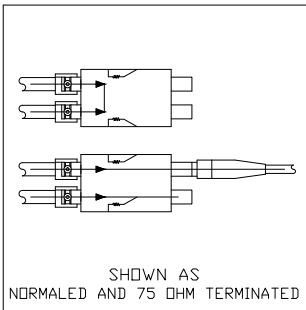
LAYER (DS\_INSERT) IS PROVIDED FOR THE CREATION OF LEGEND STRIPS FOR THIS PATCHBAY. THE RED OUTLINE MATCHES THE SIZE OF INSERT. PLEASE NOTE THE VIEWABLE AREA IS LISTED IN NOTES BELOW THE FRONT PANEL VIEW.



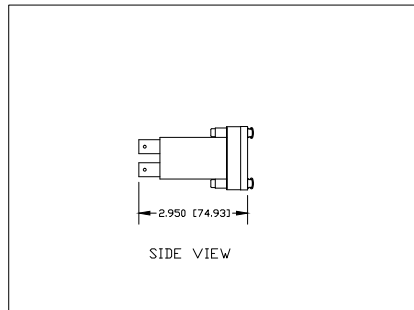
TOP VIEW



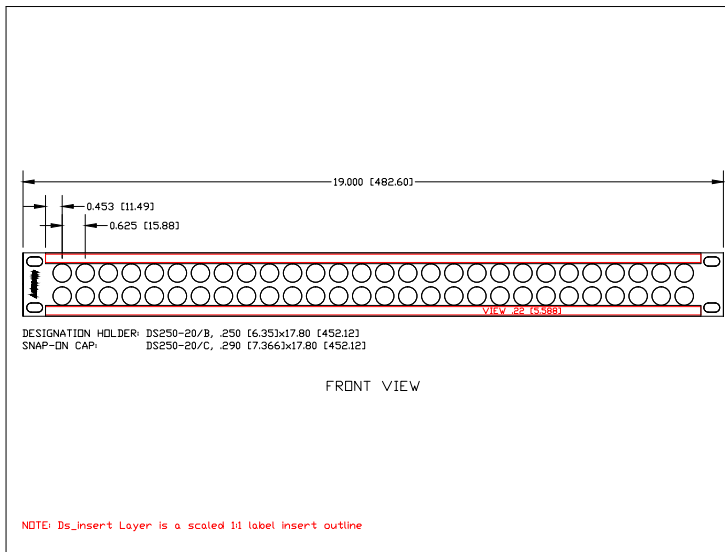
REAR VIEW



SHOWN AS  
NORMALED AND 75 OHM TERMINATED



SIDE VIEW



FRONT VIEW

NOTE: Ds\_Insert Layer is a scaled 1:1 label insert outline